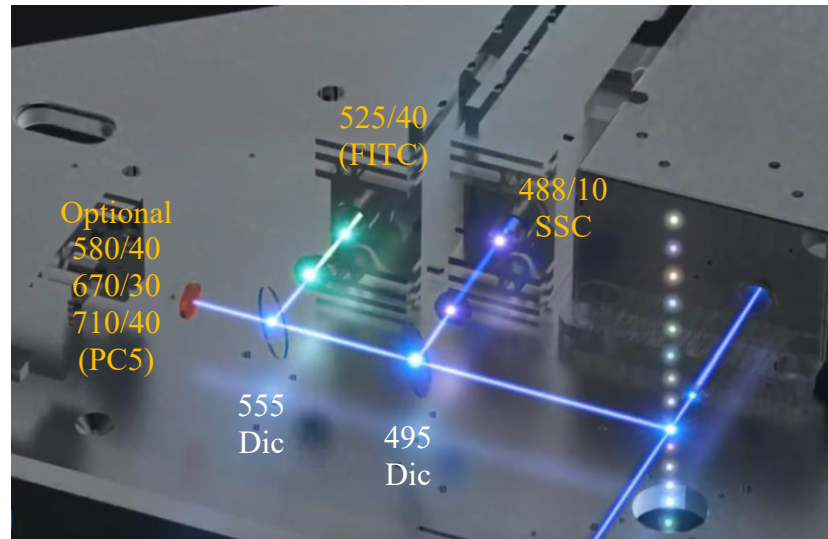


Laser	Mirror	Filter	Channel name	Fluorochromes (some examples)
Blue 488nm	495 Dic	488/10	SSC	
	555 Dic	525/40	FITC	GFP, AF488
The PC5 channel can be equipped with one of the following filters				
optional additional		580/40	PC5	PE, AF555, tdTomato
		710/40	PC5	PE-AF680, PerCP-Cy5.5 (not recommended)
Red 640nm		670/30	PC5	AF647, PE-Cy5, APC, CellTrace Far Red



Filter arrangement at the Nanoanalyzer